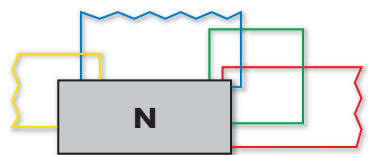





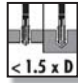
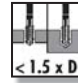
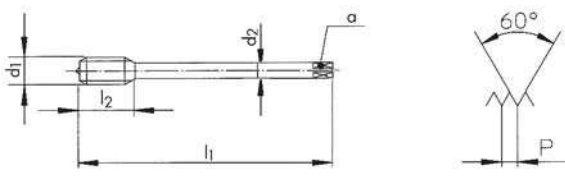








# M ISO DIN 13

HSSE



									N410-3		N410-3 LH					
																
<p><b>N410-3</b>  </p> <p><b>N410-3 LH</b>  <b>LH</b> </p>																
																
																
$\varnothing d_1$ M	P mm	$l_1$ mm	$l_2$ mm	$d_2$ mm	a mm			ID	ID							
3	0.50	56	12.0	2.2	1.8	3	2.50	101897								
4	0.70	63	14.0	2.8	2.1	3	3.30	101924								
5	0.80	70	15.0	3.5	2.7	3	4.20	101942								
6	1.00	80	17.0	4.5	3.4	3	5.00	101953								
7	1.00	80	17.0	5.5	4.3	3	6.00	142645	111491							
8	1.25	90	20.0	6.0	4.9	3	6.80	101958	111492							
10	1.50	100	22.0	7.0	5.5	3	8.50	101866	111478							
12	1.75	110	24.0	9.0	7.0	3	10.20	101870	111479							
14	2.00	110	28.0	11.0	9.0	3	12.00	101874	111480							
16	2.00	110	30.0	12.0	9.0	3	14.00	101880	111481							
18	2.50	125	33.0	14.0	11.0	3	15.50	101883	111482							
20	2.50	140	36.0	16.0	12.0	3	17.50	101885	125530							
22	2.50	140	36.0	18.0	14.5	3	19.50	101888								
24	3.00	160	39.0	18.0	14.5	4	21.00	101891	111485							
27	3.00	160	42.0	20.0	16.0	4	24.00	101895	111486							
30	3.50	180	45.0	22.0	18.0	4	26.50	101901	111487							
33	3.50	180	48.0	25.0	20.0	4	29.50	101907								
36	4.00	200	51.0	28.0	22.0	4	32.00	101915	111488							
39	4.00	200	55.0	32.0	24.0	4	35.00	101922								
42	4.50	200	55.0	32.0	24.0	4	37.50	101932								
48	5.00	250	63.0	36.0	29.0	4	43.00	111489								
56	5.50	280	71.0	45.0	35.0	5	50.50	111447								